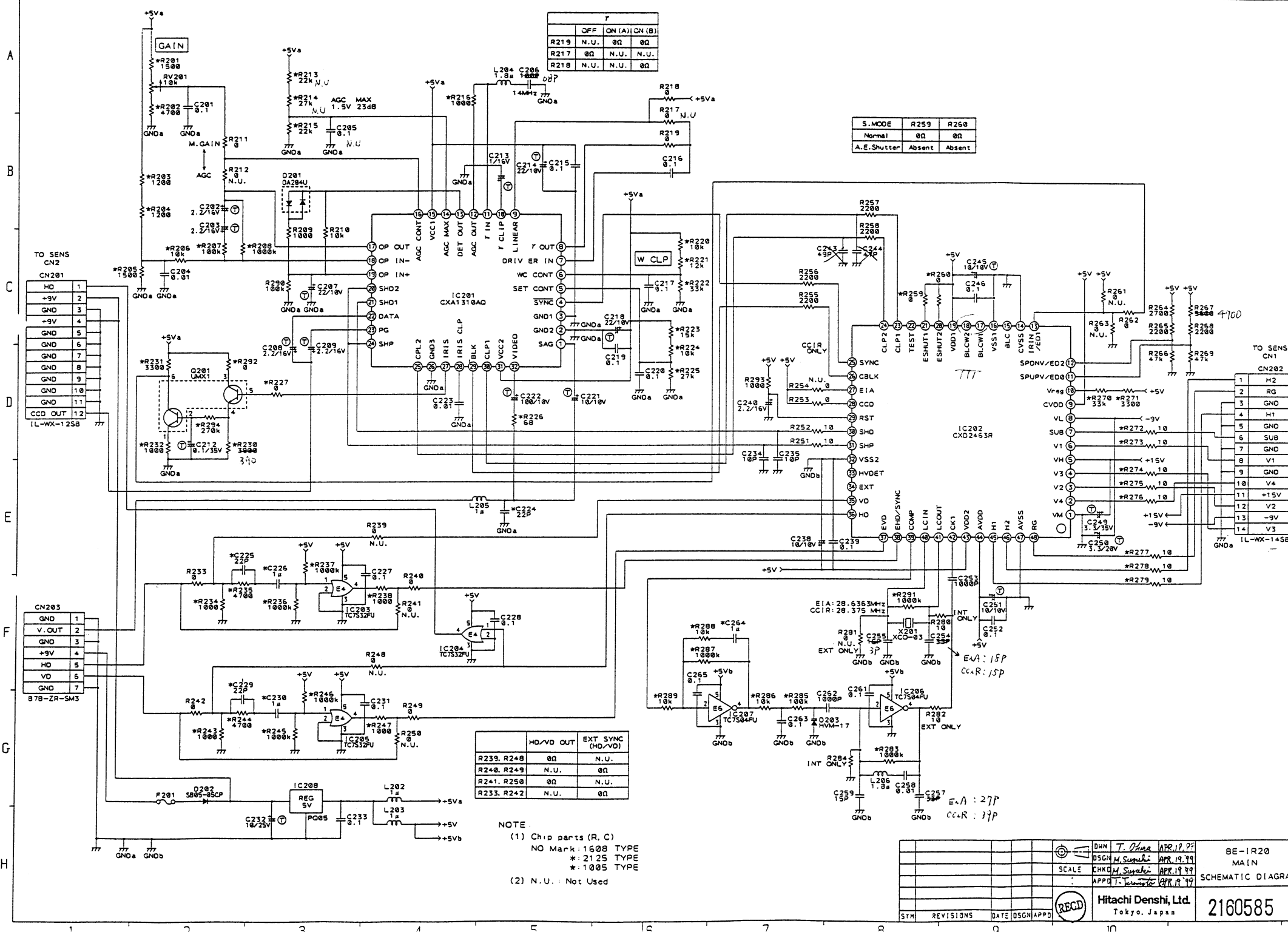


r	
	OFF ON (A) ON (B)
R219	N.U. 0Ω 0Ω
R217	0Ω N.U. N.U.
R218	N.U. N.U. 0Ω

S. MOOE	R259	R260
Normal	0Ω	0Ω
A.E. Shutter	Absent	Absent

	HO/VD OUT	EXT SYNC (HO/VD)
R239, R248	0Ω	N.U.
R240, R249	N.U.	0Ω
R241, R250	0Ω	N.U.
R233, R242	N.U.	0Ω

NOTE
 (1) Chip parts (R, C)
 NO Mark: 1608 TYPE
 * 2125 TYPE
 * 1005 TYPE
 (2) N.U.: Not Used

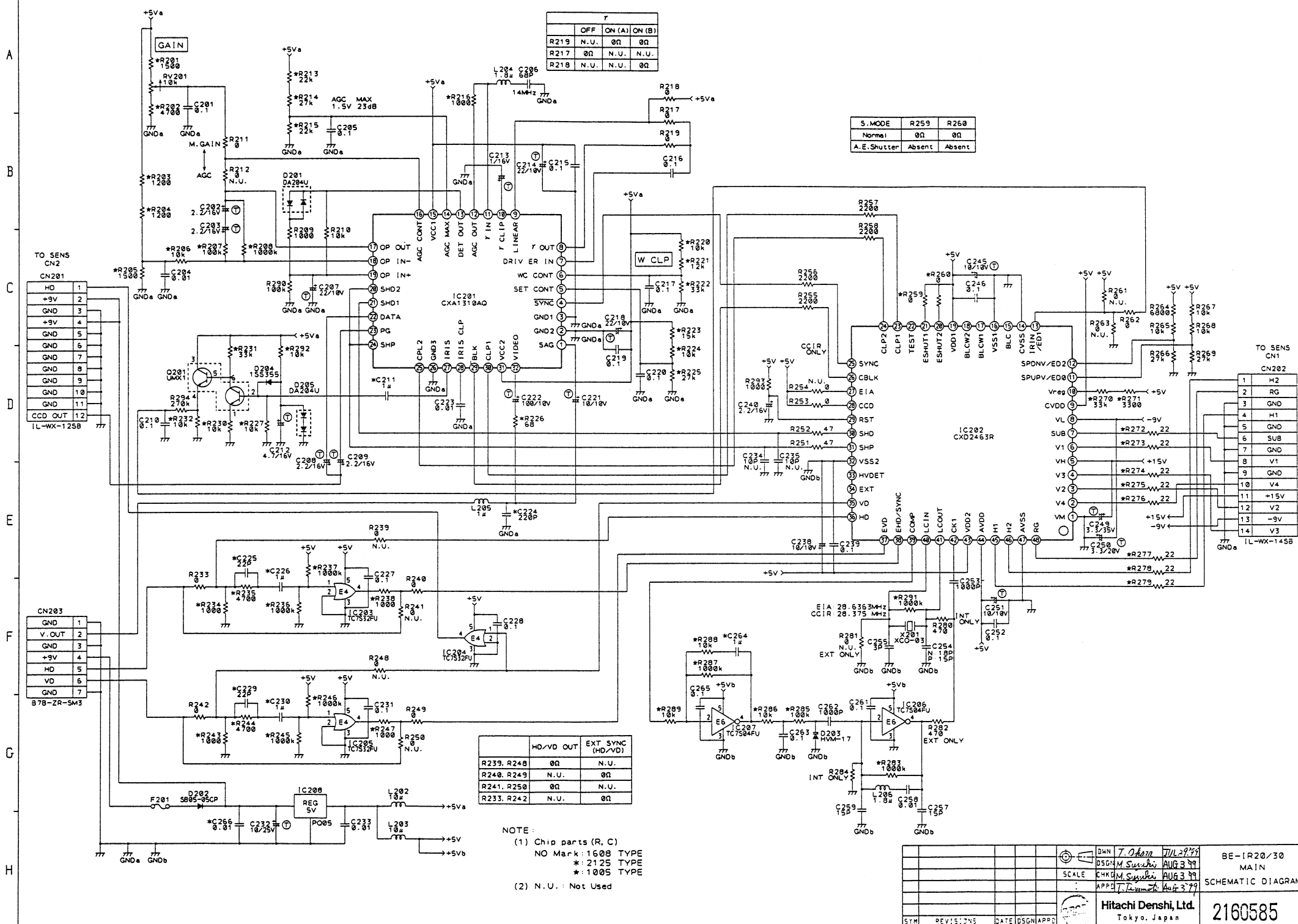


4700

EVA: 15P
CCR: 15P

EVA: 27P
CCR: 17P

REV	DATE	DSGN	APPD		Hitachi Denshi, Ltd. Tokyo, Japan	BE-1R20 MAIN SCHEMATIC DIAGRAM	2160585
1							
2							



T		OFF	ON (A)	ON (B)
R219	N.U.	0Ω	0Ω	
R217	0Ω	N.U.	N.U.	
R218	N.U.	N.U.	0Ω	

S. MODE	R259	R260
Normal	0Ω	0Ω
A.E. Shutter	Absent	Absent

	HD/VD OUT	EXT SYNC (HD/VD)
R239, R240	0Ω	N.U.
R240, R249	N.U.	0Ω
R241, R250	0Ω	N.U.
R233, R242	N.U.	0Ω

NOTE:
 (1) Chip parts (R, C)
 NO Mark: 1608 TYPE
 *: 2125 TYPE
 *: 1005 TYPE
 (2) N.U.: Not Used

DNH	T. Ohara	JUL 29 '99	BE-1R20/30 MAIN SCHEMATIC DIAGRAM
DSGN	M. Sasaki	AUG 3 '99	
SCALE	M. Sasaki	AUG 3 '99	
APP	T. Yamazaki	Aug 3 '99	
Hitachi Denshi, Ltd. Tokyo, Japan			2160585

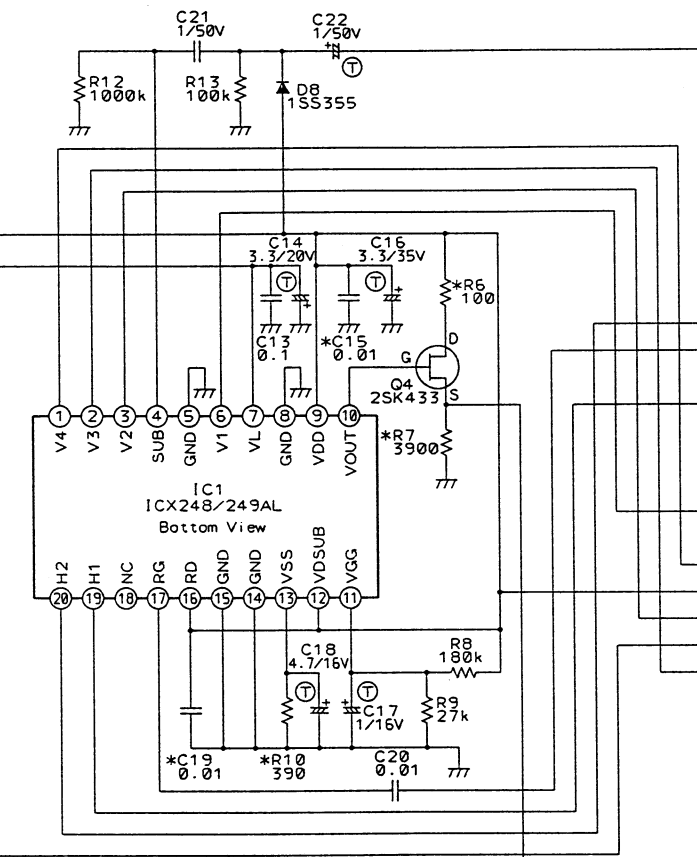
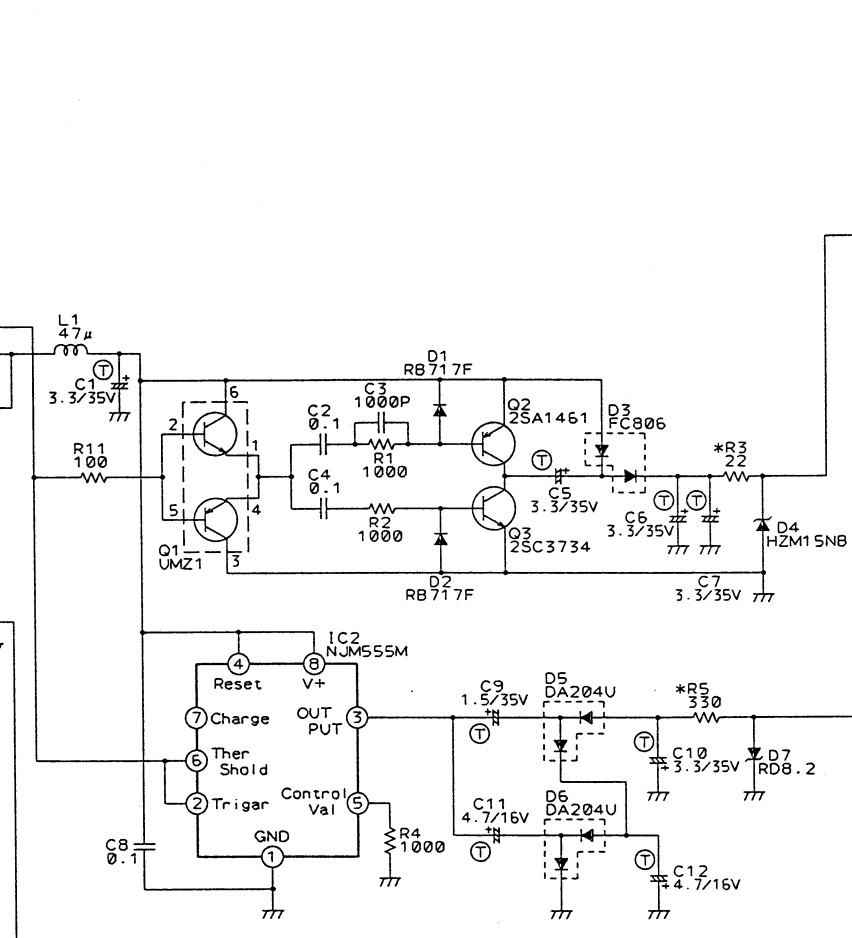
3412513

A
B
C
D
E

TO MAIN
CN201

CN2	
HD	1
+9V	2
GND	3
+9V	4
GND	5
GND	6
GND	7
GND	8
GND	9
GND	10
GND	11
CCD OUT	12

IL-WX-1 2PB



TO MAIN
CN202

CN1	
H2	1
RG	2
GND	3
H1	4
GND	5
SUB	6
GND	7
V1	8
GND	9
V4	10
+15V	11
V2	12
-9V	13
V3	14

IL-WX-14PB

NOTE: Chip parts (R, C)
NO Mark: 1608 TYPE
*: 2125 TYPE

SYM	REVISIONS	DATE	DSGN	APPD		DWN T. Ohana JUL.29'99 DSGN M. Suzuki AUG 3 '99 SCALE CHKD M. Suzuki AUG 3 '99 APPD T. Teramoto Aug 3 '99	BE-1R20 SENS SCHEMATIC DIAGRAM
						Hitachi Denshi, Ltd. Tokyo, Japan	3412513

1 2 3 4 5 6 7 8